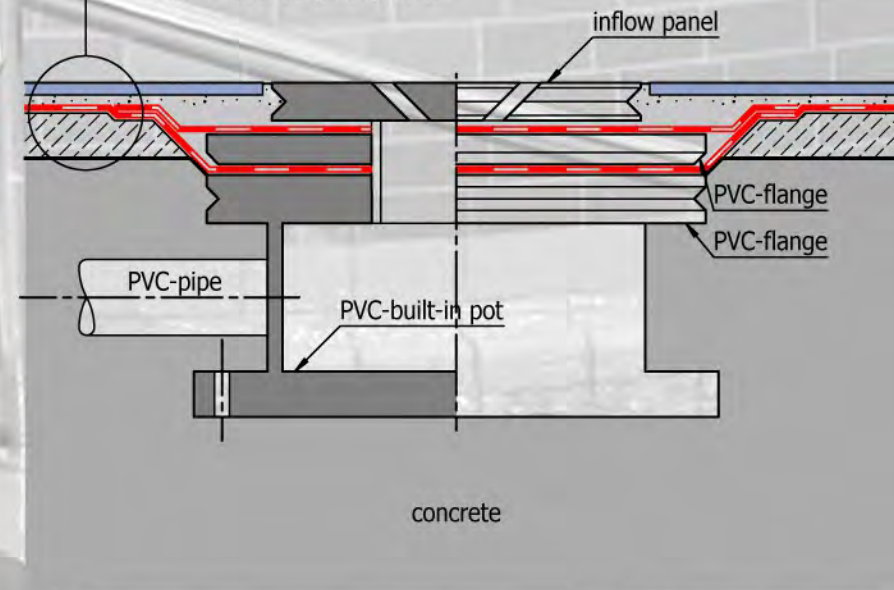


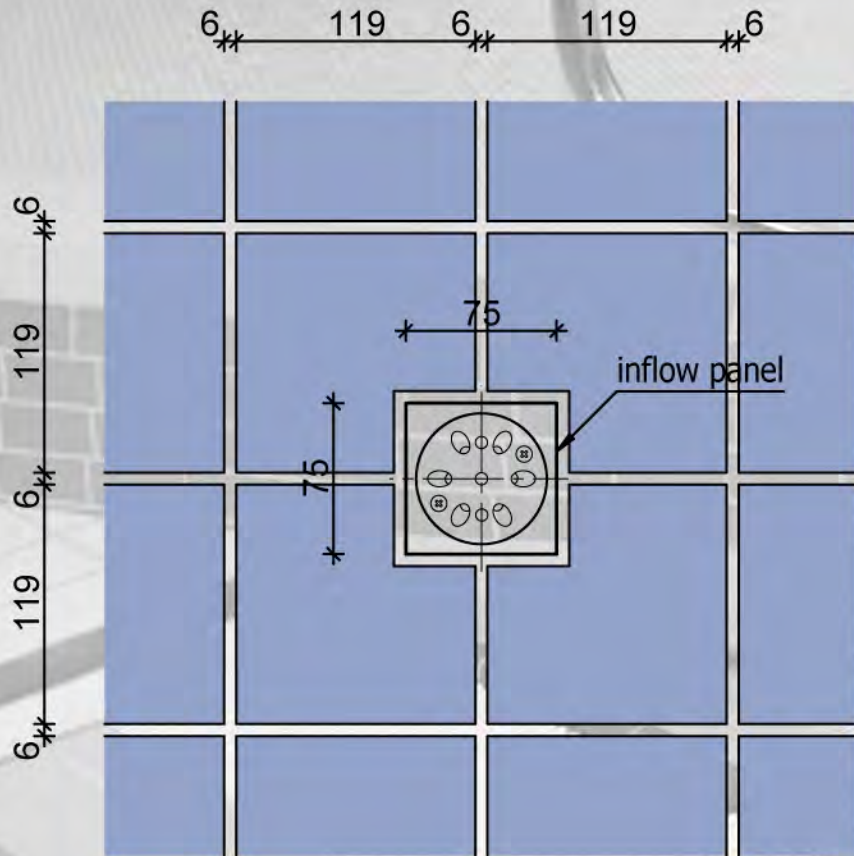
### STEULER-Q<sup>7</sup>-System

- cement plaster (equalising layer)
- Steuler Alkadur HR conductive scratch coat
- Steulerbutyl V10/S
- Steuler Alkadur HR coat
- Steuler Alkadur HR bedding mortar
- ceramic tiles / mosaic
- Steuler Alkadur SB jointing mortar



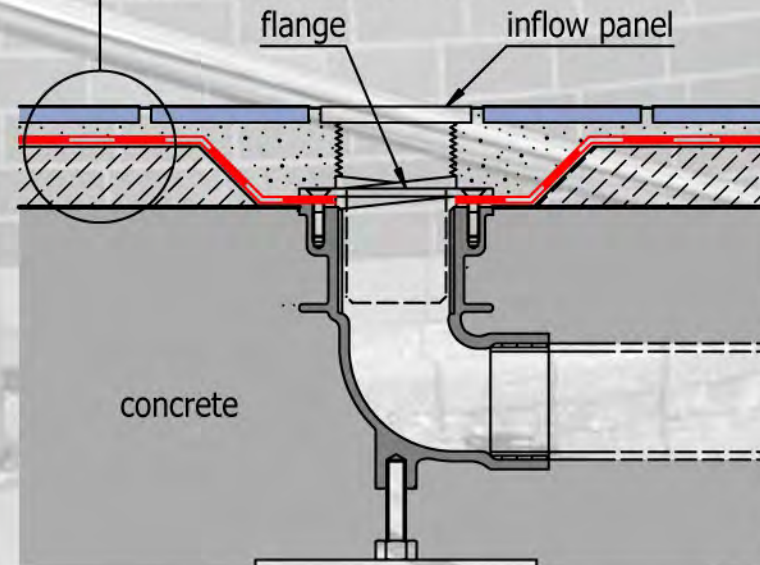
System built-in part  
 Patent DE 4134 860  
 EP 0332 051

**sectional drawing 8.1**  
 inflow panel

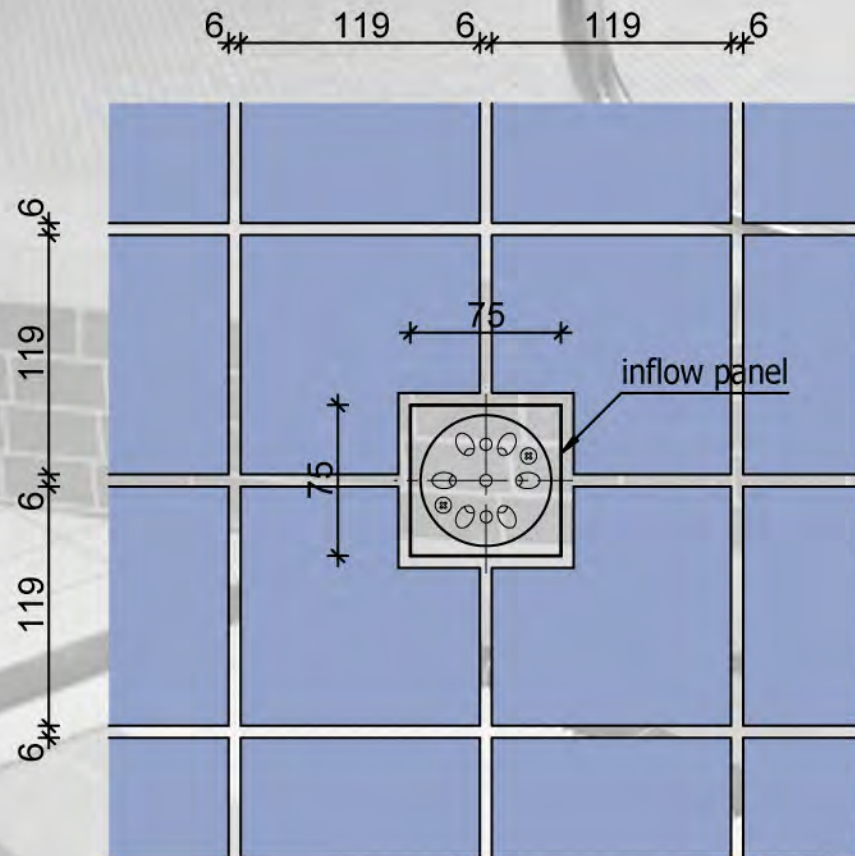


**STEULER-Q<sup>7</sup>-System**

- cement plaster (equalising layer)
- Steuler Alkadur HR conductive scratch coat
- Steulerbutyl V10/S
- Steuler Alkadur HR coat
- Steuler Alkadur HR bedding mortar
- ceramic tiles / mosaic
- Steuler Alkadur SB jointing mortar

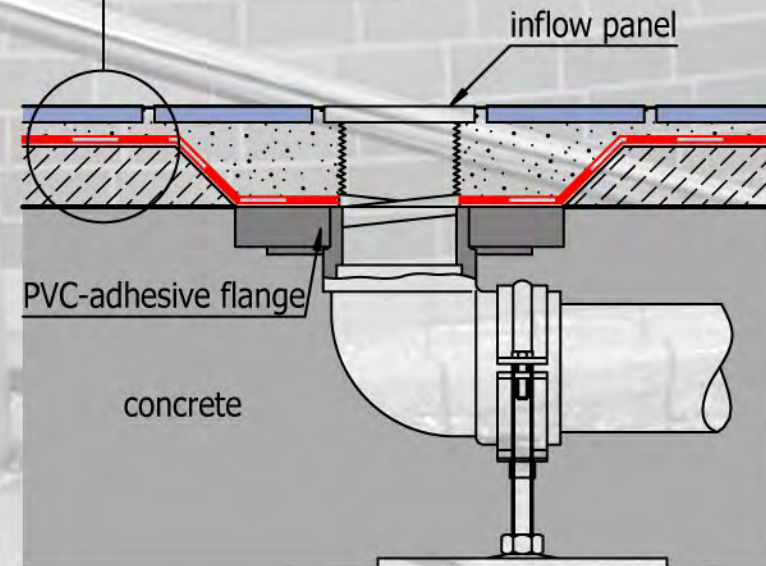


**sectional drawing 8.2**  
inflow panel



## STEULER-Q<sup>7</sup>-System

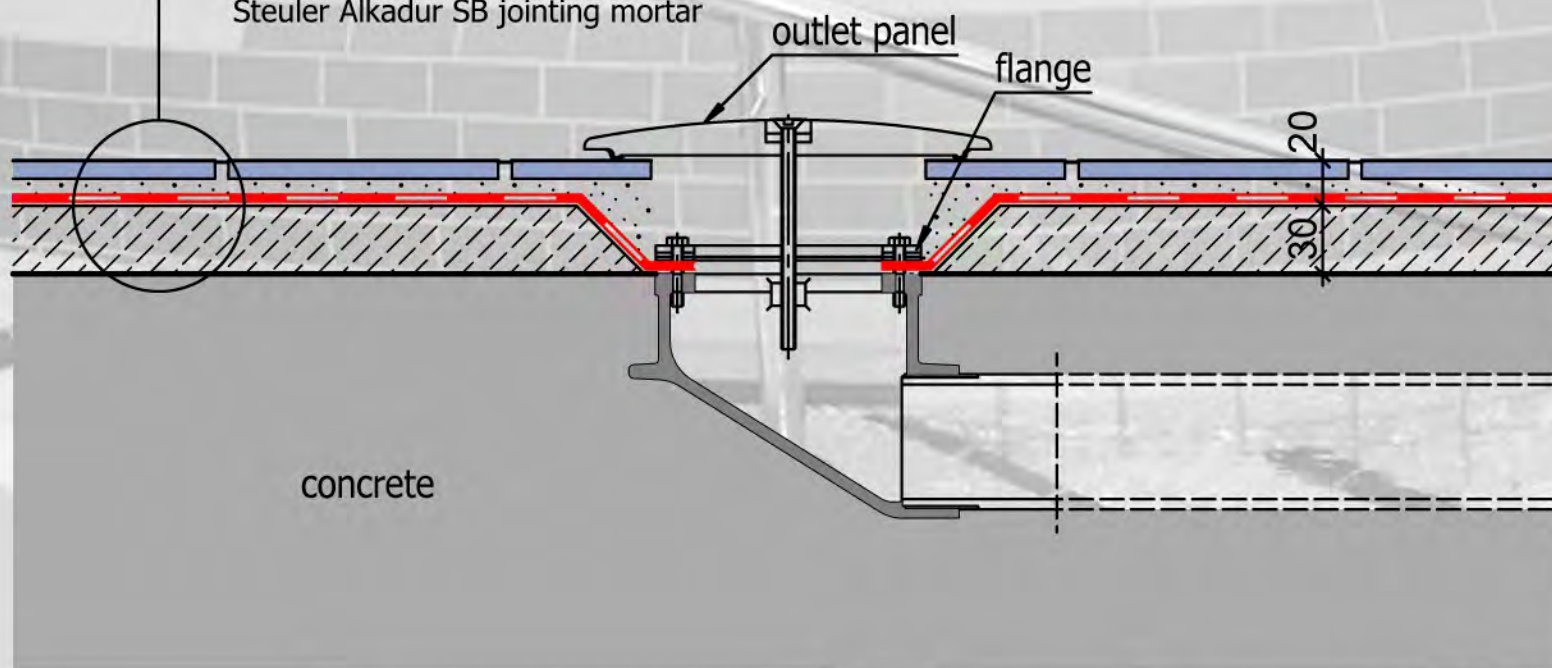
- cement plaster (equalising layer)
- Steuler Alkadur HR conductive scratch coat
- Steulerbutyl V10/S
- Steuler Alkadur HR coat
- Steuler Alkadur HR bedding mortar
- ceramic tiles / mosaic
- Steuler Alkadur SB jointing mortar



**sectional drawing 8.3**  
inflow panel

## STEULER-Q<sup>7</sup>-System

cement plaster (equalising layer)  
Steuler Alkadur HR conductive scratch coat  
Steulerbutyl V10/S  
Steuler Alkadur HR coat  
Steuler Alkadur HR bedding mortar  
ceramic tiles / mosaic  
Steuler Alkadur SB jointing mortar



**sectional drawing 8.4**  
poolfloor outlet